

Celebrate Your Independence!

Ameri**van**



Mobility is our business.

Your mobility is our mission.

Eldorado 
National - Kansas
Thor Industries Mobility Division



▲ Amerivan's cargo room is plentiful for all those odd- and over-sized take alongs.



▲ Amerivan is equipped with an automatic load leveling suspension. This feature will allow the van to kneel making entering and exiting convenient.

Setting new standards for quality engineering, creative design and meticulous craftsmanship, the Amerivan provides practical solutions for today's mobility challenges.



Amerivan is built with careful attention to the finest details of quality, design, and construction.

A stainless steel floor offers maximum protection from rust and corrosion. Amerivan is built to last – one of the many reasons Amerivan owners are among the most satisfied in the lowered-floor minivan market.

Amerivan comes fully loaded with all the most popular features, many of them options or simply unavailable on other vehicles. 56" sliding door height on both sides makes access easier and safer. With its 14" lowered-floor, Amerivan offers a full 58/60" of headroom without the need for a raised roof. And this lower floor depth keeps your line of vision at a more normal level for greater safety when driving.

Every Eldorado National component of your Amerivan has undergone rigid testing for safety and performance. And the crash-tested Amerivan design meets or exceeds all applicable U.S. and Canadian vehicle safety standards.



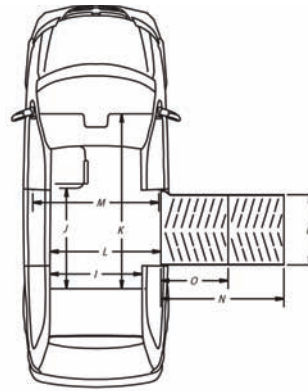
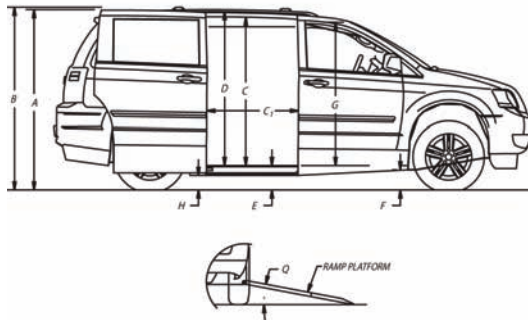
▲ Convenient lighted entry step



▲ Amerivan's rear seats are equipped with folding 60/40 footrests with a non skid surface.



▲ Amerivan's front seats can be easily removed and replaced, with a locking mechanism operated by a quick-release foot pedal.



**Chrysler Town & Country/
Dodge Grand Caravan
Amerivan Vehicle Dimensions
Fold-out Ramp**

A	Overall height of van	72 ³ / ₄ "
B	Overall height of van (w/luggage rack)	75"
C	Door opening, usable height	56"
C ₁	Door opening, width	33"
D	Interior height at center of van (w/console)	57 ¹ / ₂ "
D	Interior height at center of van (w/o console)	60 ¹ / ₂ "
E	Height at floor (normal)	11"
F	Ground clearance at side doors (normal)	7"
G	Interior height at driver & passenger position	60"
H	Ground clearance at frame (empty)	7 ⁵ / ₈ "
I	Interior width	46 ¹ / ₂ "
J	Interior floor length from behind front seats	55 ¹ / ₂ "
K	Overall interior floor length	87"
L	Interior width at middle of ramp	66"
M	Interior width behind driver's seat at B-pillar	60"
N	Ramp length	54"
O	Ramp length (first section only)	34 ¹ / ₂ "
P	Usable ramp width	31"
Q	Ramp angle with van knelt	7"
	Gross vehicle weight rating (lbs.)	6,050

Optional Equipment

- manual fold-out ramp
- slip resistant vinyl flooring
- 2 passenger fold-away middle

Standard Equipment

- 14" lowered Stainless Steel floor
- Kneeling feature
- Both front seats removable
- Color-keyed carpeting
- Automatic load-leveling air suspension
- 56" sliding door height (left & right)
- 54" fold-out, power ramp
- Q'Straint wheelchair restraint track front & center locations
- EZ Lock power supply
- EZ Lock plate mounting capability (driver & passenger side)
- Modification of OEM rear heat/air
- Body side cladding
- OEM remote control modification
- Transmission/door interlock


Eldorado
National - Kansas
Thor Industries Mobility Division

Your Eldorado National Amerivan Dealer

This publication contains information accurate at the time of printing. Eldorado National reserves the right to discontinue models or options at any time or change the specifications, materials, equipment or design without notice and without incurring obligation. Some equipment shown is optional. Chrysler and Dodge are registered trademarks of Chrysler Corporation.
Printed in the U.S.A.
© Copyright 2009 Eldorado National
7/11



www.amerivans.com • 1655 Wall Street, Salina, KS 67401 • Phone 785-827-1033 • Fax 785-493-2037

For complete information call 866-392-6300



Printed on recycled paper as part of Eldorado National's continuous effort to minimize waste and conserve our natural resources.